



BX24 Boxer

BOXER

Free Standing
Wood Stove

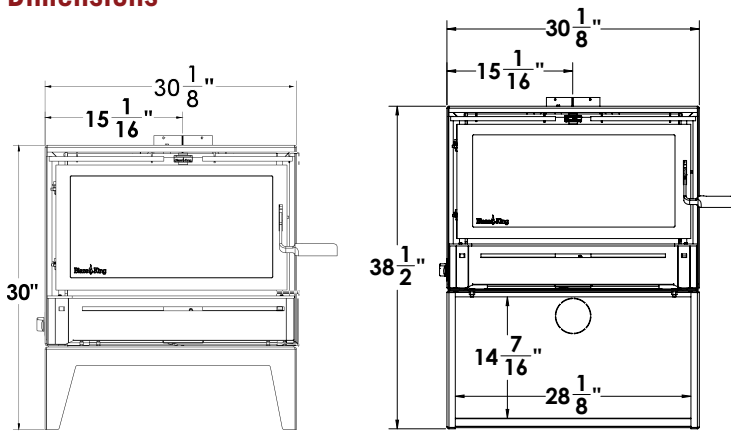


Blaze  King

www.blazeking.com

Blaze King BX24 Boxer

Dimensions



Clearances:

Center of flue to rear of stove	5"
Depth of stove	26 ¹³ / ₁₆ "
Side of stove to side wall	10"
Rear of stove to rear wall	10" (Wall Exit 14")
Side wall to flue center	25 ¹ / ₈ "
Rear wall to flue center	15 ¹ / ₈ " (Wall Exit 19 ¹ / ₈ ")
Rear corner to side wall	2 ³ / ₄ "
Rear corner to flue center	16 ¹ / ₈ "
Top of stove to ceiling	49"

For a full list of clearances and hearth pad sizes see owners' manual.

No fresh air kit is available for the Boxer. The Boxer is not approved for mobile home installations.

Do not install in an alcove in Canada

Specifications: Boxer 24.1	Real World Tested Performance
Cord Wood Max BTU**	40,000 BTU's
Efficiency	77% (EPA listed efficiency)
Maximum Heat Input	311,334 BTU's
Constant Heat Output on High*	29,966 BTU's/hour up to 8 hours
Constant Heat Output on Low*	9,589 BTU's/hour up to 24 hours
Square Feet Heated	400 - 1600
Average Heating Time*	8 to 13 hours
Potential Burn Time on Low*	24 hours
Emissions (grams/hour)	0.9 g/hr
Firebox Size	2.3 cu.ft.
Firebox Depth	16 ³ / ₄ " (brick to brick) 18" (brick to glass)
Firebox Width	20 ¹ / ₂ " (front) 18" (rear)
Firebox Height	10"
Flue Size	6"
CO (g/min)	0.41

** Cord Wood BTU is calculated using the cord wood test method.

* BTU, heat input, heat output and heating times depend on influences such as home size, home insulation, installation configuration, wood species, wood moisture content and climatic conditions.

Design

- A modern wood stove with clean lines
- Wide screen viewing area – 24" x 11"
- Double action door handle with hardwood grip

Performance

- Burns 33% less wood when compared to non Blaze King stoves*
- 2.3 cu. ft. firebox
- Cord Wood max BTUs: 40,000
- Up to 24 hour low burn times on a single load of wood*
- Up to 13 hour average heating times on a single load of wood*
- 70% heat output control* (From high burn to low burn)
- Heats 400 to 1,600 square feet*
- 0.9 g/hr emissions

Options

- Optional tall pedestal base for storage and easy loading.
- Optional leg base for an elegant look.
- 120 cfm dual variable speed fan kit.

Efficiency At 77% efficiency the Boxer is one of the most efficient wood stoves available. It is also one of the cleanest stoves available with only 0.9 grams emissions per hour. Performance is balanced to deliver a greater amount of radiant heat through the large glass door.

Long burn times In the real world the most important thing is to get overnight heat. By pushing the boundaries of long burn times, Blaze King is able to deliver that all important full night's sleep and much more.

Thermostat Control (No electricity required) All Blaze King stoves come with a built in thermostat that automatically allows you to regulate the heat output of your stove by up to 70%.

Savings Most wood stoves require a thermal hearth pad below the stove, but the Boxer 24 only requires spark protection, which reduces installation costs.

Burn 33% Less Wood Our unique combustion system makes the Boxer one of the most efficient stoves in the world, thus lowering your heating costs by up to 33%.



Boxer 24 with optional Pedestal Base



Boxer 24 with optional Leg Base