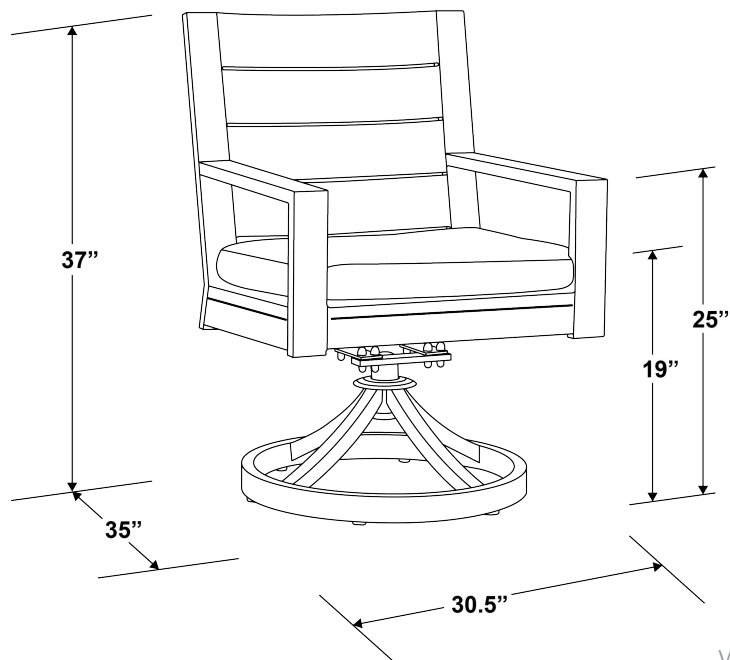


## LAGUNA SWIVEL DINING CHAIR

SKU 3501-11



### SPECS

- |                  |  |
|------------------|--|
| Width: 25"       | • Fully welded, scratch-resistant powder-coated aluminum frame with Hand Brushed Driftwood Finish. |
| Depth: 25"       | • Commercial Quality Construction.   |
| Height: 37"      | • Adjustable Feet  |
| Arm Height: 25"  | • Stocked in Sunbrella Canvas Flax with Velcro straps.   |
| Seat Height: 19" | • Custom Cushions available in approx. 4 weeks.  |
| Weight: 25.0 lbs | • Standard 54" fabric COM yardage required: 1 Yard   |